

# Geotrek™ Conveyor

Track Mounted Portable Stacking Conveyor

## Smooth and Steady

Proportional track drive controls allow for steady travel, acceleration and deceleration.



## Remote Control



A hand-held control unit operates the belt operation and track control.



Up To

1,200  
TPH

## Cylinder Shield



Patented cylinder design protects hydraulics from dust and debris during operation.

5,000

Portable Stackers  
Built To Date



5-year

Structural  
Warranty

## On-board Power

A 77 HP Deutz diesel engine supplies hydraulic power to the unit.

## Containerized

Compact transport dimensions allow for a versatile fit inside a 40-foot shipping container.

2-year

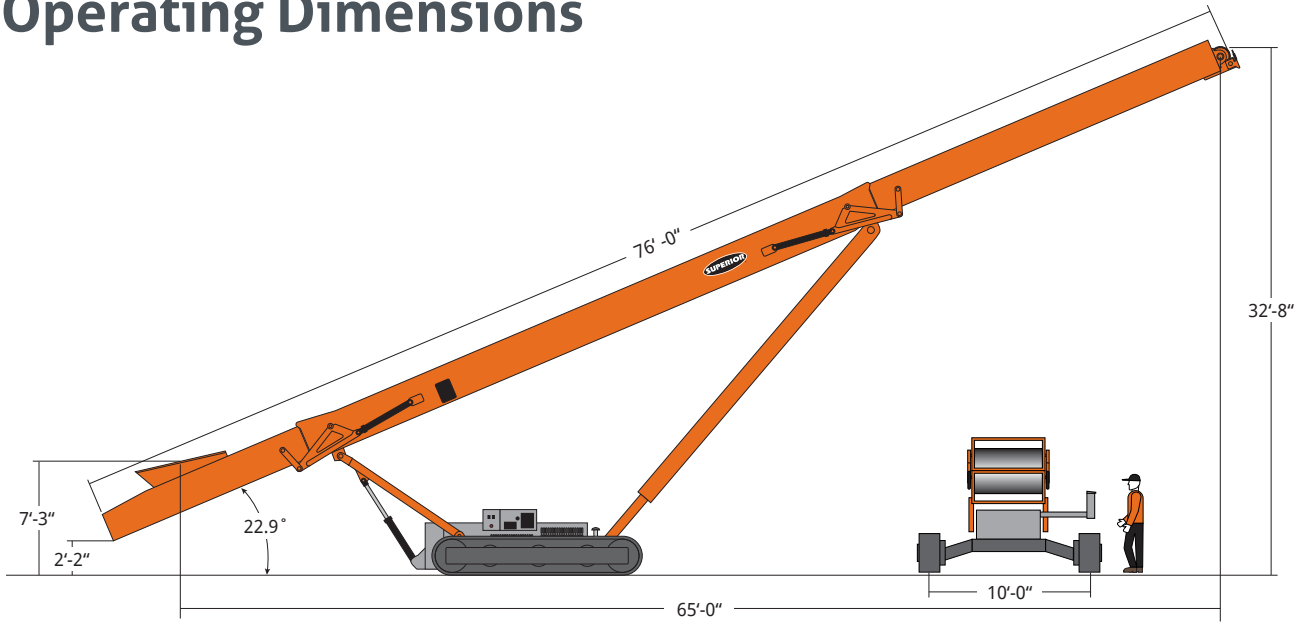
Complete  
Conveyor  
Warranty



### Featured Superior Brand Conveyor Accessory:

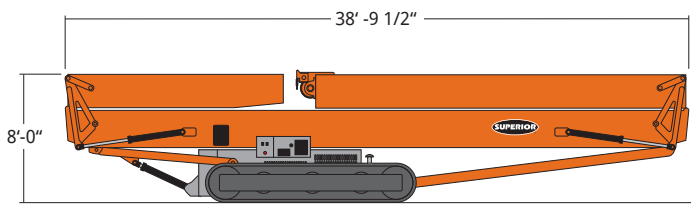
Determined to function, even in some of the most corrosive conditions, our Superior brand take-ups are characterized by broad, strong components.

# Operating Dimensions

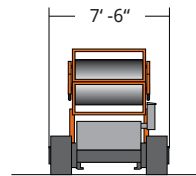


Total Weight: 32,000 pounds

# Container/Transport Dimensions



Side View



Front View

